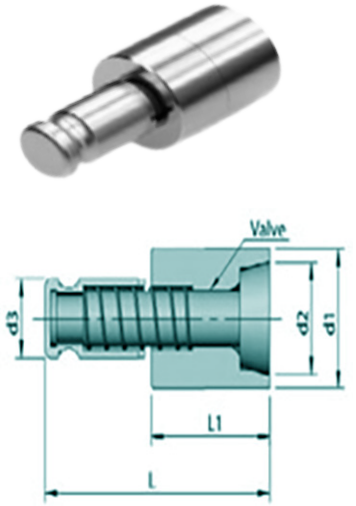


AIR EJECTOR

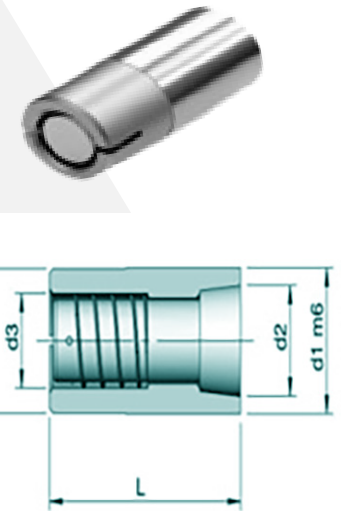
AIR EJECTOR A TYPE

SR	CODE	d1	d2	L	L1	d3
1	AEA - 08	8	6.5	24	11	6
2	AEA - 10	10	7.5	24	11	6
3	AEA - 12	12	9.7	34	18	8
4	AEA - 14	14	11.8	34	18	8
5	AEA - 16	16	13	38	20	8
6	AEA - 18	18	15	45	22	12
7	AEA - 20	20	16	50	26	12
8	AEA - 25	25	20	50	26	12



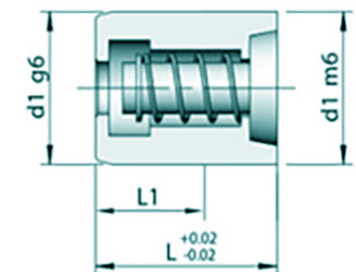
AIR EJECTOR B TYPE

SR	CODE	d1	d2	L	L1	d3
1	AEA - 08	8	6.5	24	11	6
2	AEA - 10	10	7.5	24	11	6
3	AEA - 12	12	9.7	34	18	8
4	AEA - 14	14	11.8	34	18	8
5	AEA - 16	16	13	38	20	8
6	AEA - 18	18	15	45	22	12
7	AEA - 20	20	16	50	26	12
8	AEA - 25	25	20	50	26	12



AIR EJECTOR C TYPE

SR	CODE	d1	L	L1
1	AEC-08	8	12	7
2	AEC-10	10		
3	AEC-12	12		
4	AEC-16	16	20	12
5	AEC-20	20		



NOTE : STOCK AVAIBLE SUBJECT TO IMPORT